

## Sling Sizing & SWL Guide

### Notes:

Measurements in the document are in millimetres unless otherwise stated. Belt sizes are also in inches for ease of use.

All measurements are +/- 5%

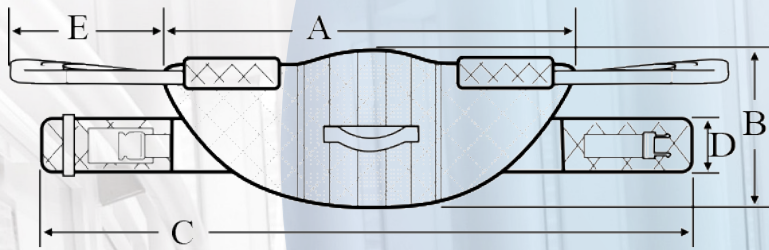
This document is a guide only and shrinkage may occur during laundering processes. Specials/Made To Measure variations of this and other sling designs for specialist needs will possibly vary from this guide.

### Generic Sling Sizing & SWL Guide:

<b>Small</b>	<b>200kg - 32 Stone</b>
<b>Medium</b>	<b>200kg - 32 Stone</b>
<b>Large</b>	<b>200kg - 32 Stone</b>
<b>X Large</b>	<b>200kg - 32 Stone</b>
<b>XX Large</b>	<b>300kg - 48 Stone</b>
<b>XXX Large</b>	<b>300kg - 48 Stone</b>

- Flame Retardent Fabric
- 1 Year Warranty
- High Temperature Launder Able

## Andway Stand Assist

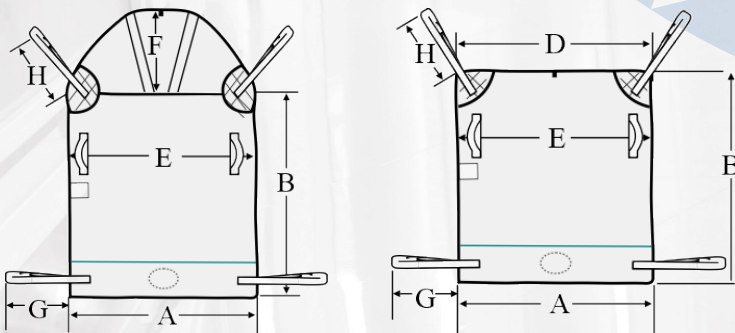


**Weight Limit:**  
32 Stone / 200kg

**Important Measurement**  
- Chest

	SMALL	MEDIUM	LARGE	X LARGE
A	860	960	1060	1160
B	325	325	325	330
C	41"/1041	45.5"/1156	55"/1400	65"/1651
To Fit Waist	27-36"	31-41"	40-51"	51-60"
D	130	130	130	130
E	540	540	540	540

## Andway Hammock Sling

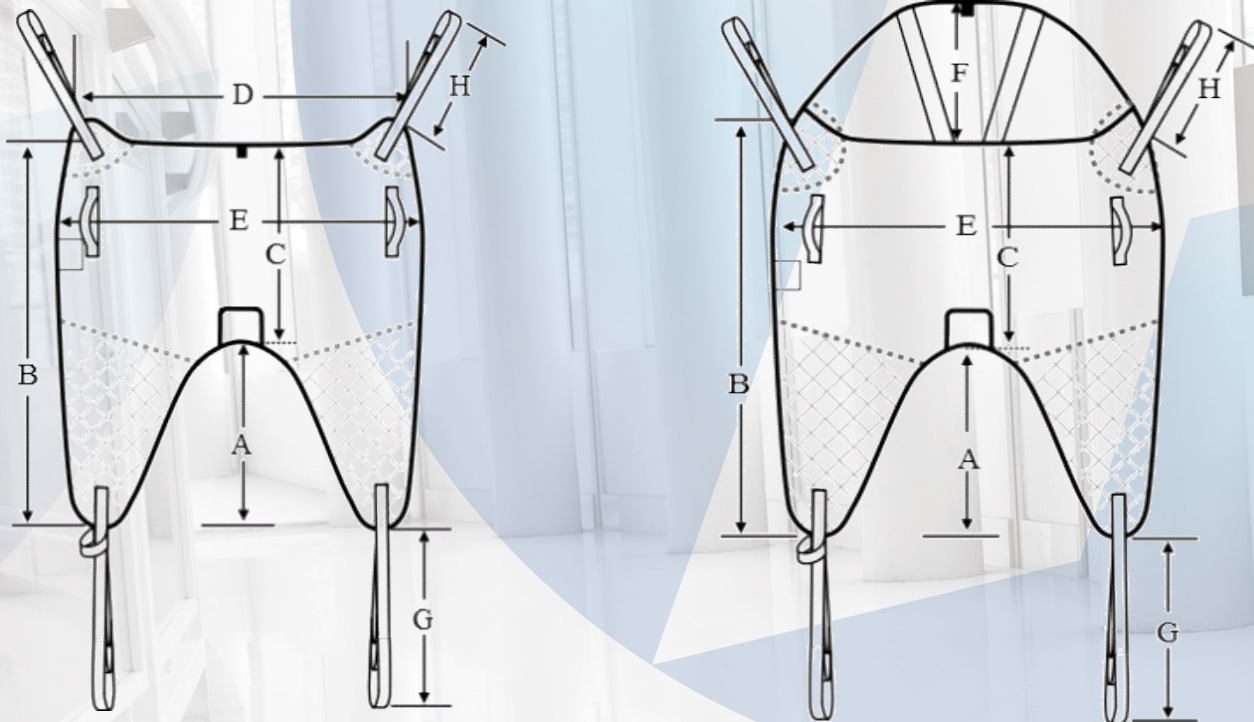


**Weight Limit:**  
32 Stone / 200kg

**Important Measurement**  
- Shoulder or C7 Base of Spine

	X SMALL	SMALL	MEDIUM	LARGE	X LARGE
A	760	855	920	950	1040
B	820	900	1000	1070	1150
C	NA	NA	NA	NA	NA
D	610	715	810	850	850
E	740	866	950	1035	1090
F	330	360	360	360	360
G	515	515	515	515	515
H	350	350	350	350	350

### Fastfit Padded Legs



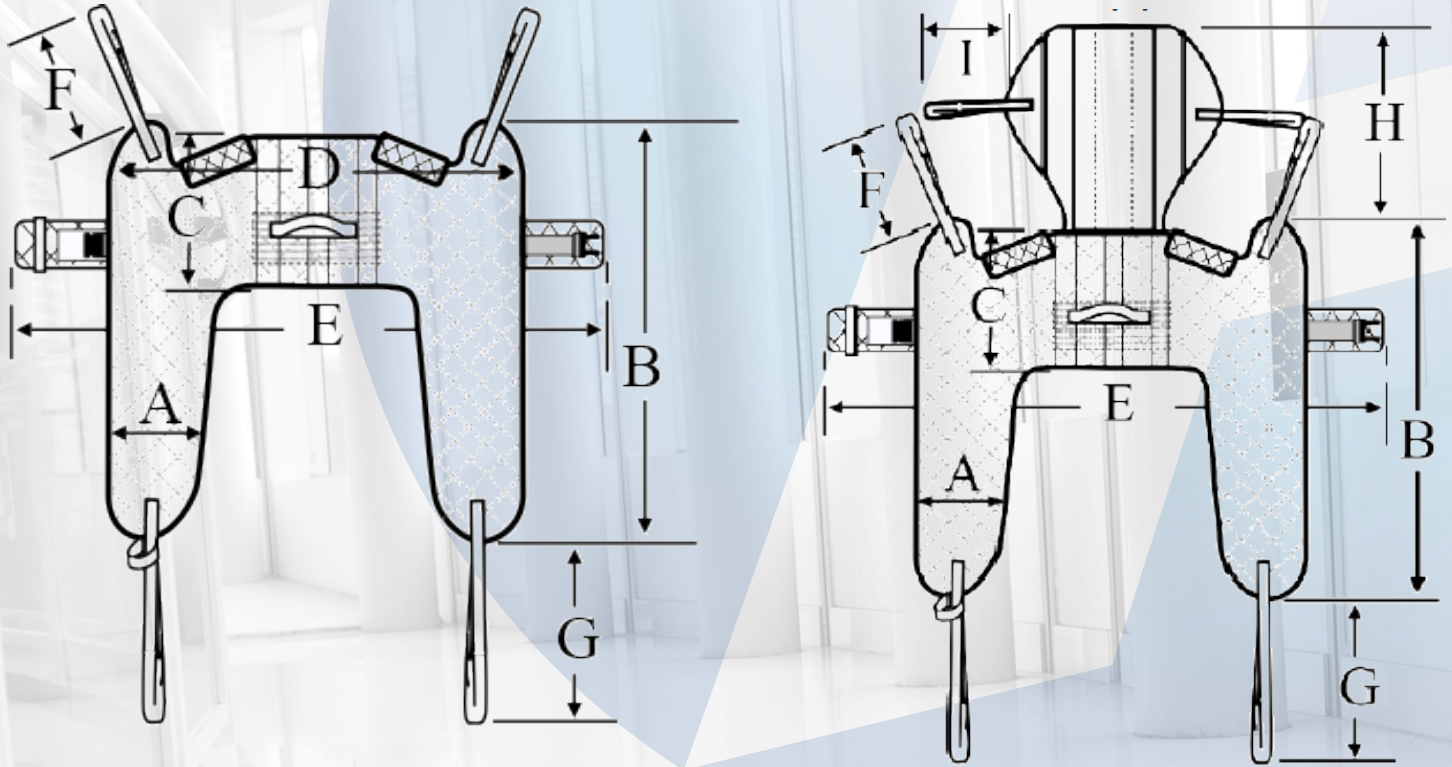
Weight Limit:  
32 Stone / 200kg

Important Measurement  
- Shoulder

	X SMALL	SMALL	MEDIUM	LARGE	X LARGE
A	365	405	450	485	485
B	860	920	990	1070	1080
C	490	515	540	635	660
D	630	730	830	870	850
E	760	800	970	1060	1120
F	275	355	355	355	355
G	515	515	515	515	515
H	330	350	350	350	350



## Fastfit Toileting Sling



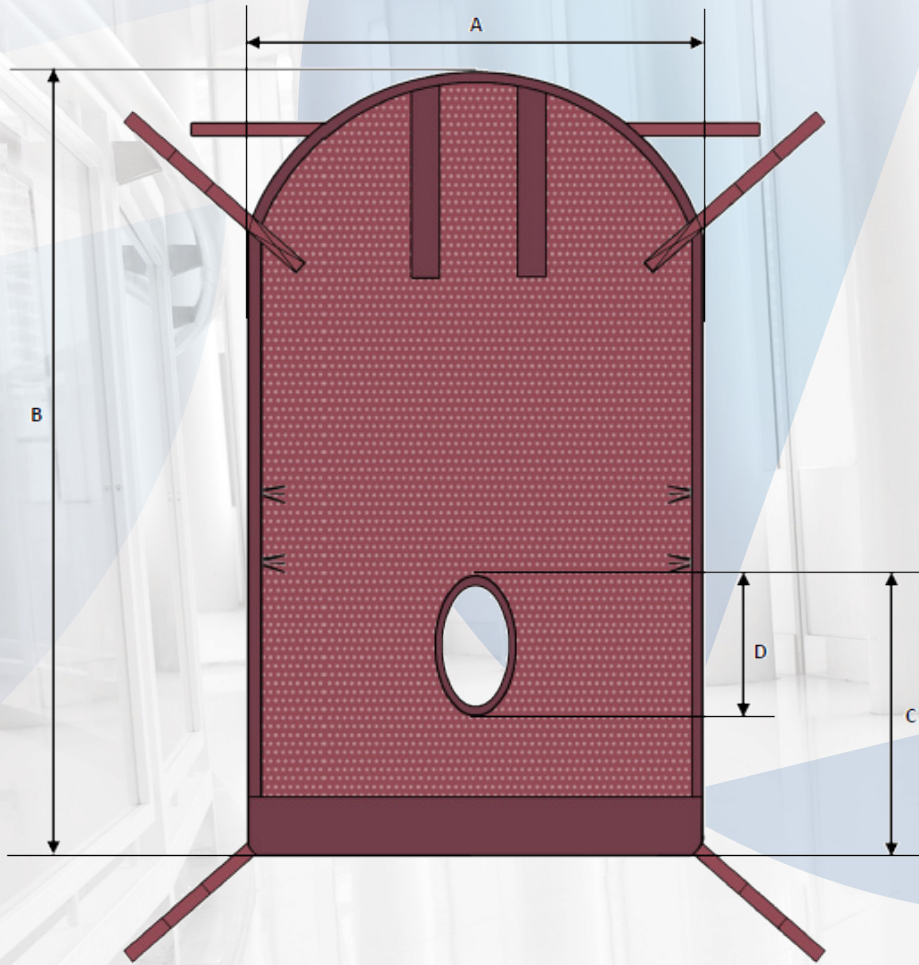
**Weight Limit:**  
32 Stone / 200kg

**Important Measurement**  
- Waist

	X SMALL	SMALL	MEDIUM	LARGE	X LARGE
A	165	195	200	210	210
B	780	850	895	970	1040
C	280	280	280	305	310
D	770	860	980	1050	1130
E	36"/914	41"/1041	45.5"/1156	55"/1400	65"/1651
To Fit Waist	24-30"	27-36"	31-41"	40-51"	51-60"
F	350	350	350	350	350
G	600	600	600	600	600
H	350	500	500	500	500
I					

WEBBING ADJUSTABLE FOR THE PATIENTS COMFORT AND POSITION

## Longseat Sling



**Weight Limit:**  
32 Stone / 200kg

**Important Measurement**  
- Shoulder or C7 Base of Spine

	SMALL	MEDIUM	LARGE	X LARGE
A	750	800	900	1000
B	1220	1320	1420	1520
C	330	380	420	450
D	180	200	220	230